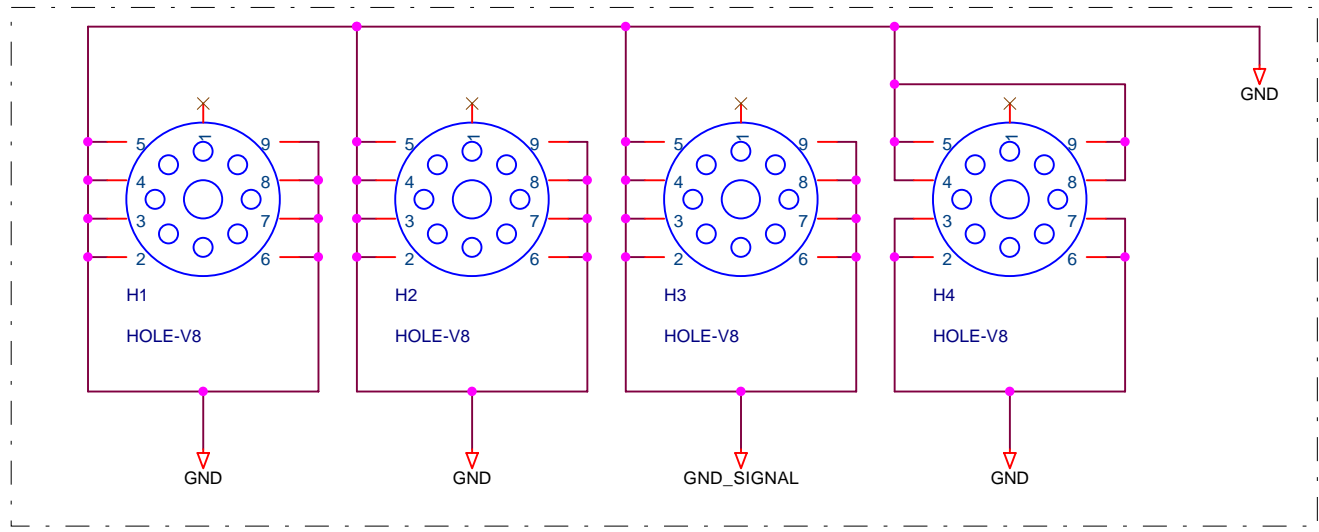
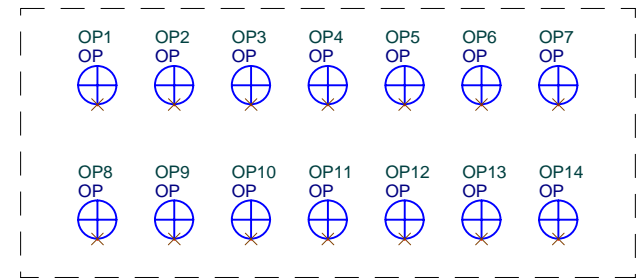


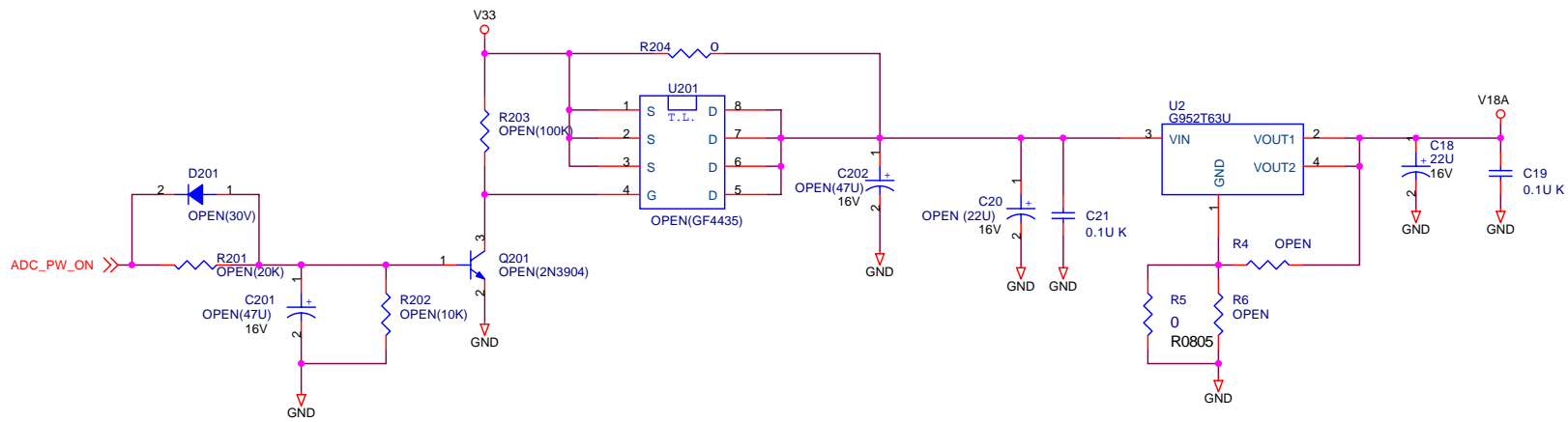
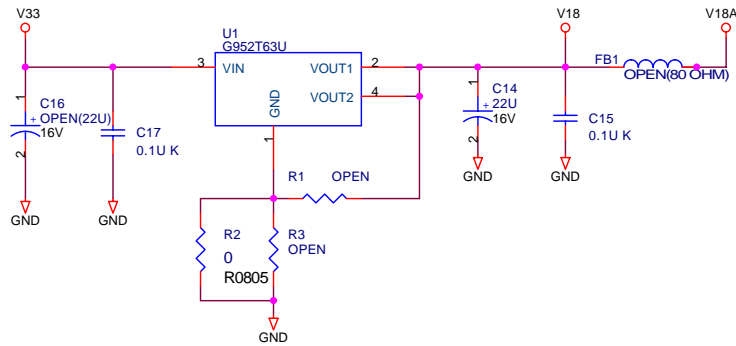
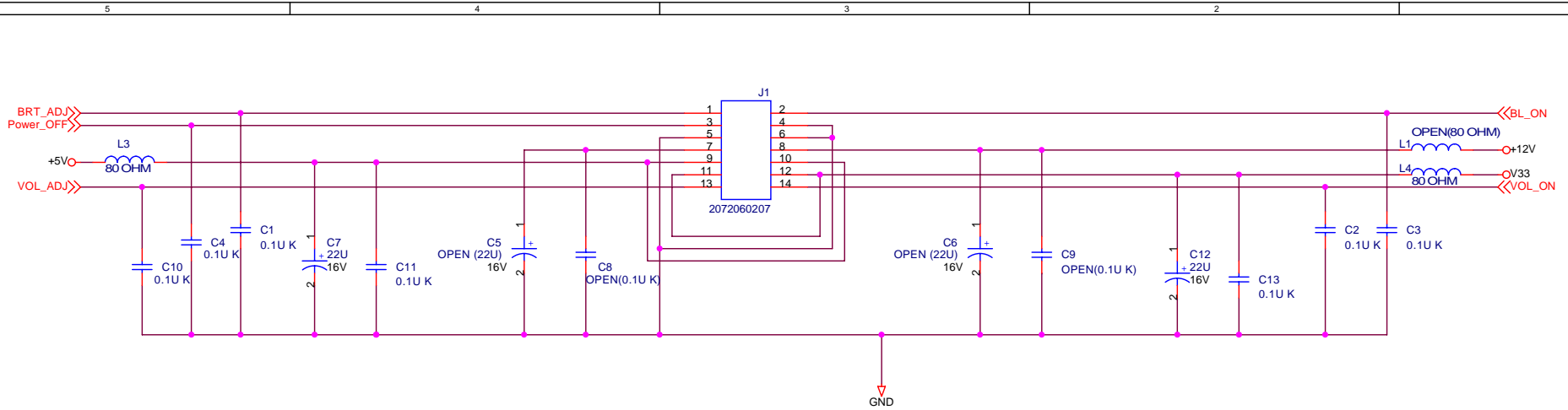
Screw Holes



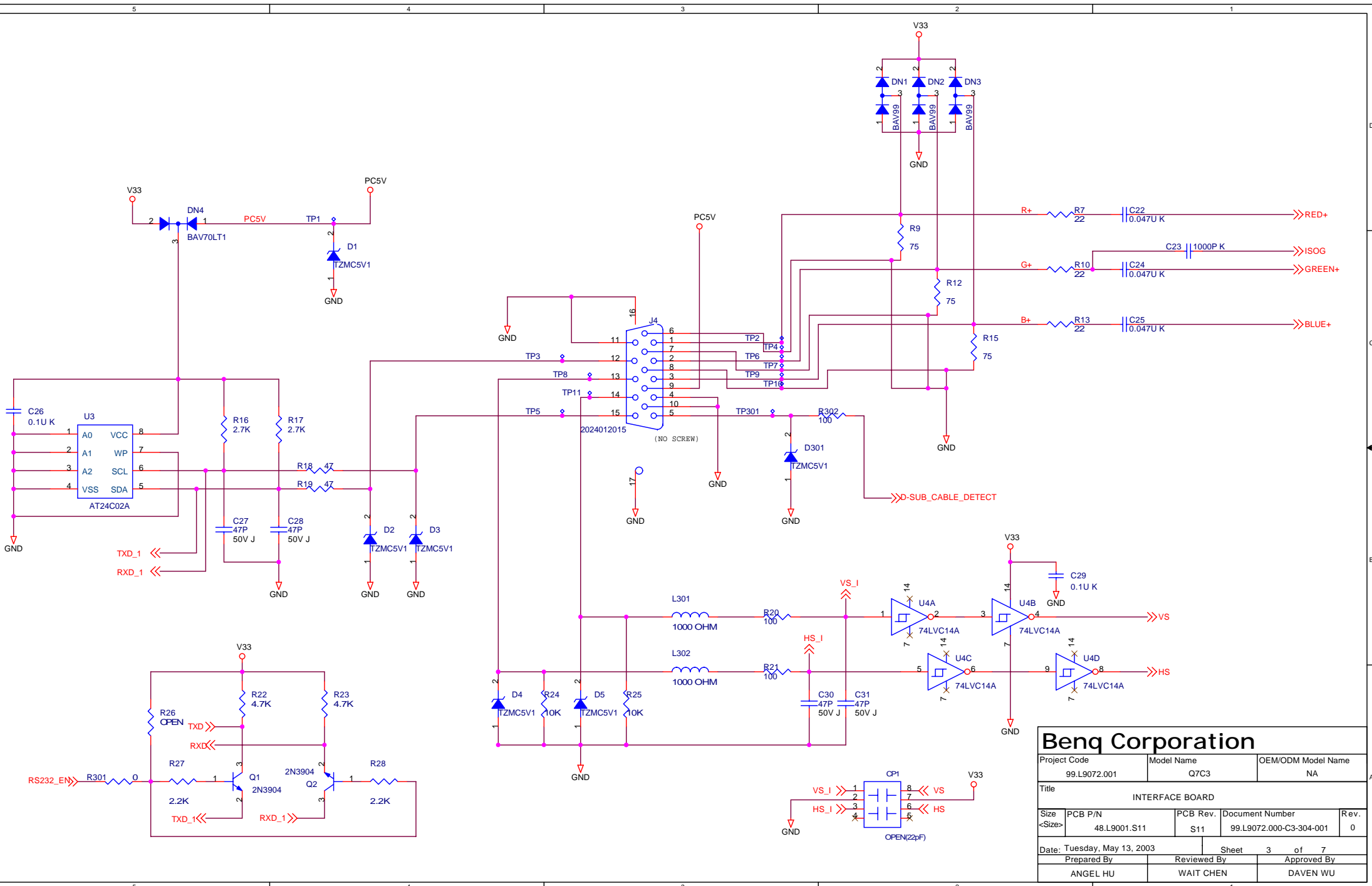
Optical Points



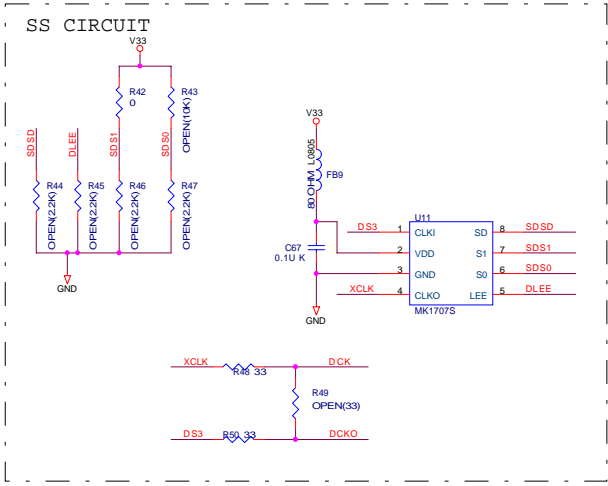
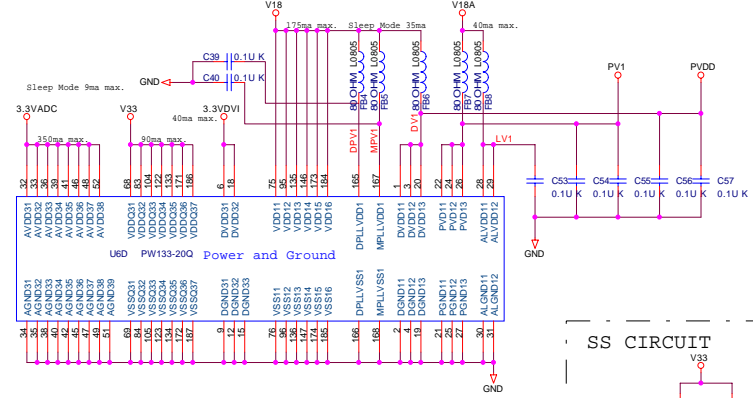
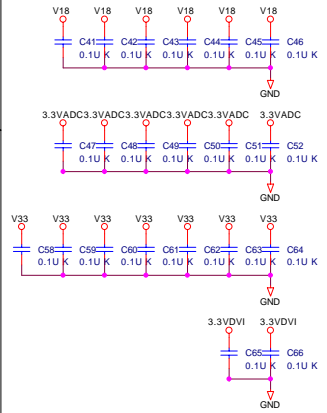
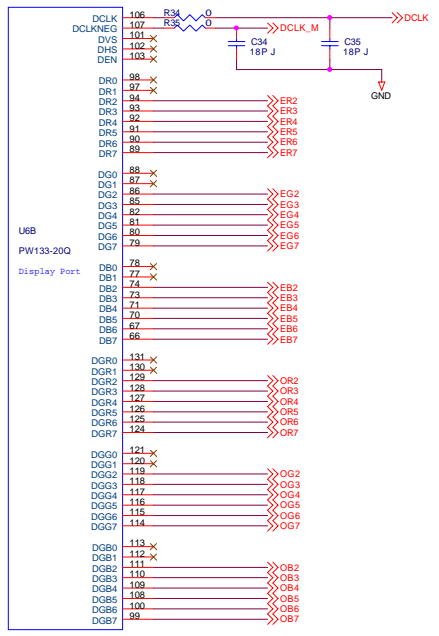
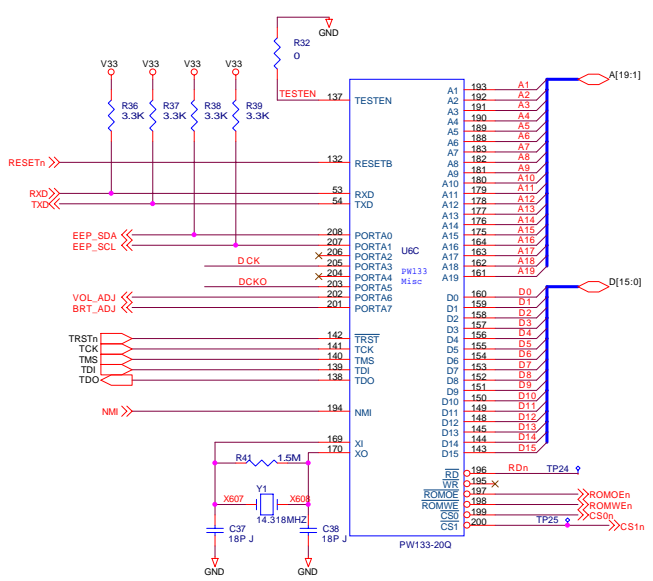
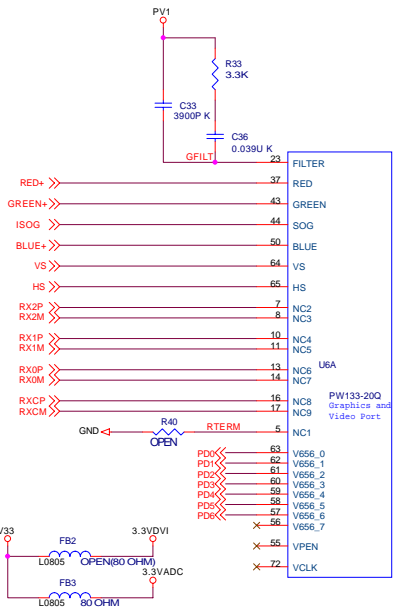
<b>Benq Corporation</b>				
Project Code 99.L9072.001		Model Name Q7C3		OEM/ODM Model Name NA
Title INTERFACE BOARD				
Size <Size>	PCB P/N 48.L9001.S11	PCB Rev. S11	Document Number 99.L9072.000-C3-304-001	Rev. 0
Date: Tuesday, May 13, 2003			Sheet 1 of 7	
Prepared By ANGEL HU		Reviewed By WAIT CHEN		Approved By DAVEN WU



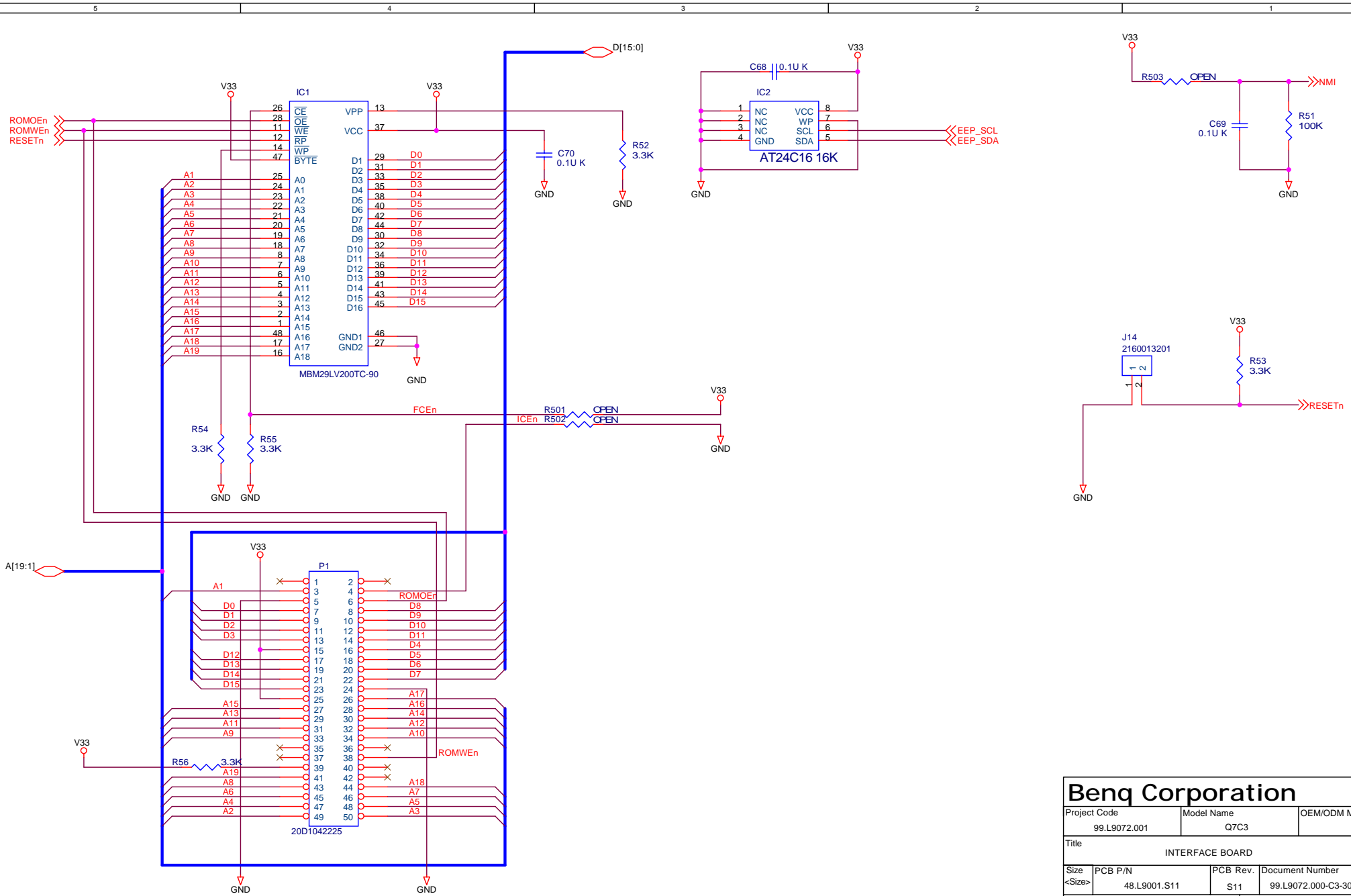
<b>Benq Corporation</b>				
Project Code	Model Name	OEM/ODM Model Name		
99.L9072.001	Q7C3	NA		
Title				
INTERFACE BOARD				
Size	PCB P/N	PCB Rev.	Document Number	Rev.
<Size>	48.L9001.S11	S11	99.L9072.000-C3-304-001	0
Date: Tuesday, May 13, 2003		Sheet 2 of 7		
Prepared By		Reviewed By		Approved By
ANGEL HU		WAIT CHEN		DAVEN WU



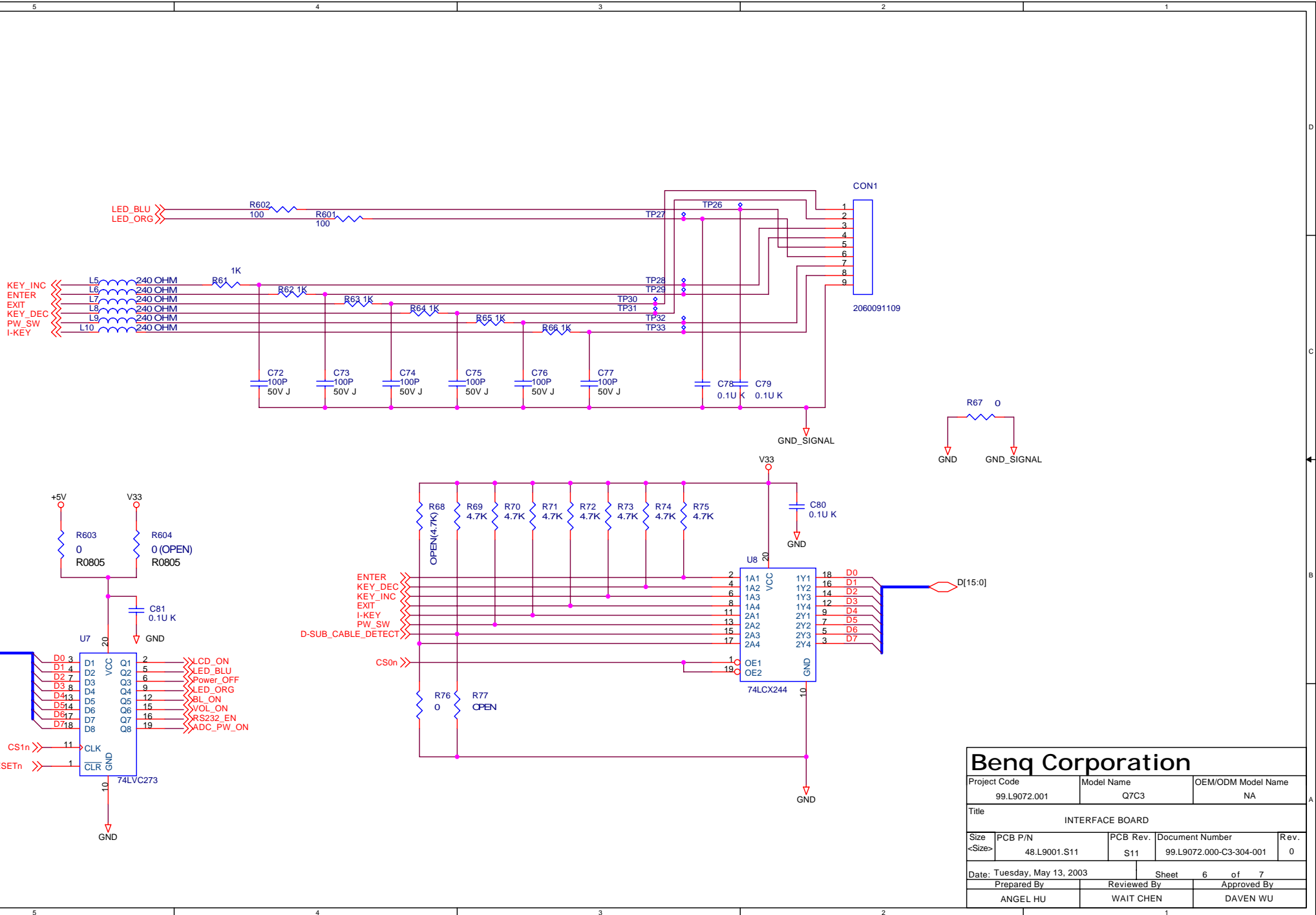
<b>Benq Corporation</b>			
Project Code	Model Name	OEM/ODM Model Name	
99.L9072.001	Q7C3	NA	
Title			
INTERFACE BOARD			
Size	PCB P/N	PCB Rev.	Document Number
<Size>	48.L9001.S11	S11	99.L9072.000-C3-304-001
Date:	Tuesday, May 13, 2003	Sheet	3 of 7
Prepared By	Reviewed By	Approved By	
ANGEL HU	WAIT CHEN	DAVEN WU	



<b>Benq Corporation</b>			
Project Code 99.L9072.001	Model Name Q7C3	OEM/ODM Model Name NA	
Title INTERFACE BOARD			
Size <Size> 48.L9001.S11	PCB P/N S11	Document Number 99.L9072.000-C3-304-001	Rev. 0
Date: Tuesday, May 13, 2003	Sheet 4 of 7	Prepared By ANGEL HU	Reviewed By WAI CHEN
		Approved By DAVEN WU	

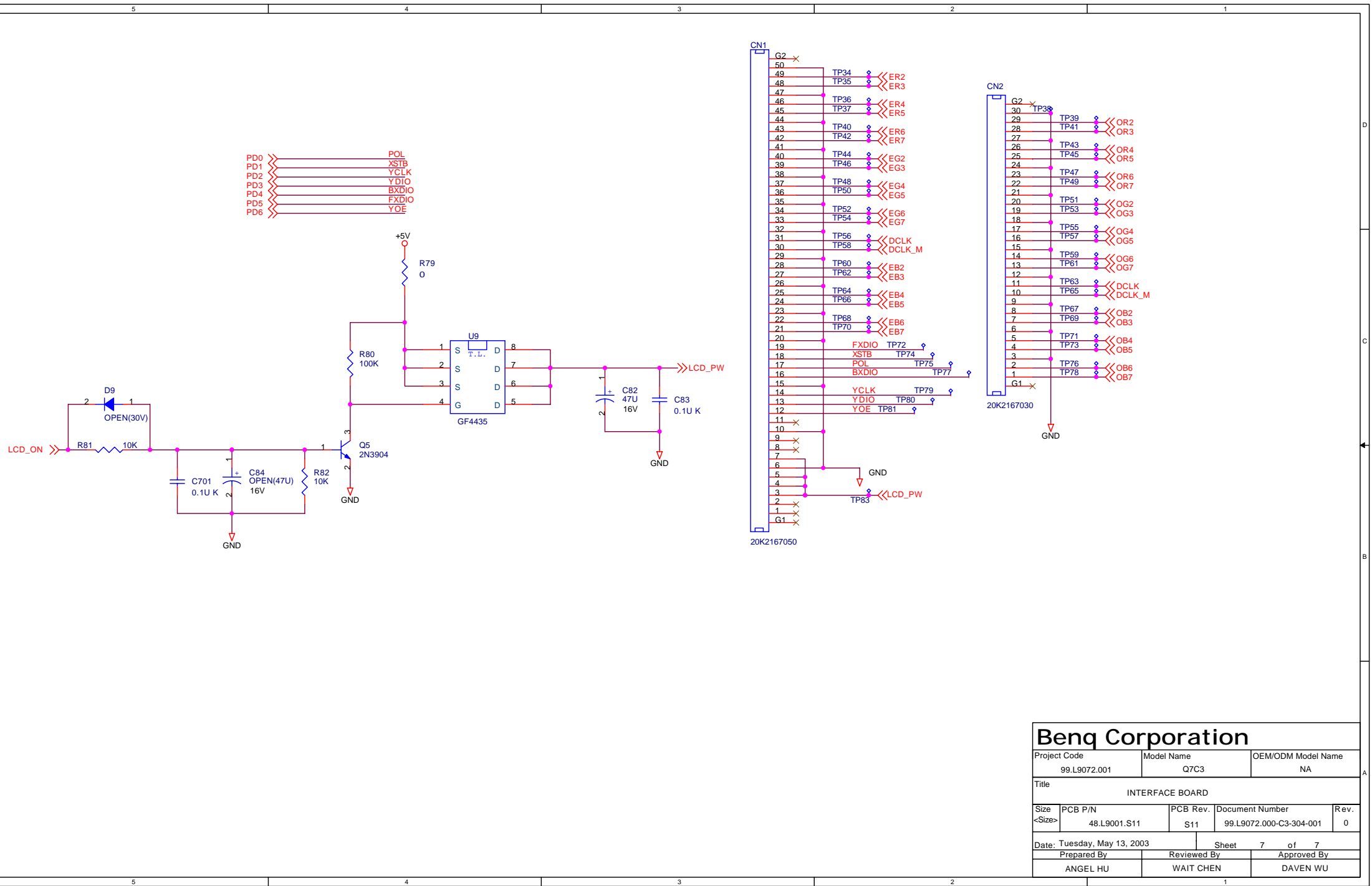


Benq Corporation				
Project Code	Model Name	OEM/ODM Model Name		
99.L9072.001	Q7C3	NA		
Title				
INTERFACE BOARD				
Size	PCB P/N	PCB Rev.	Document Number	Rev.
<Size>	48.L9001.S11	S11	99.L9072.000-C3-304-001	0
Date: Tuesday, May 13, 2003		Sheet 5 of 7		
Prepared By		Reviewed By		Approved By
ANGEL HU		WAIT CHEN		DAVEN WU

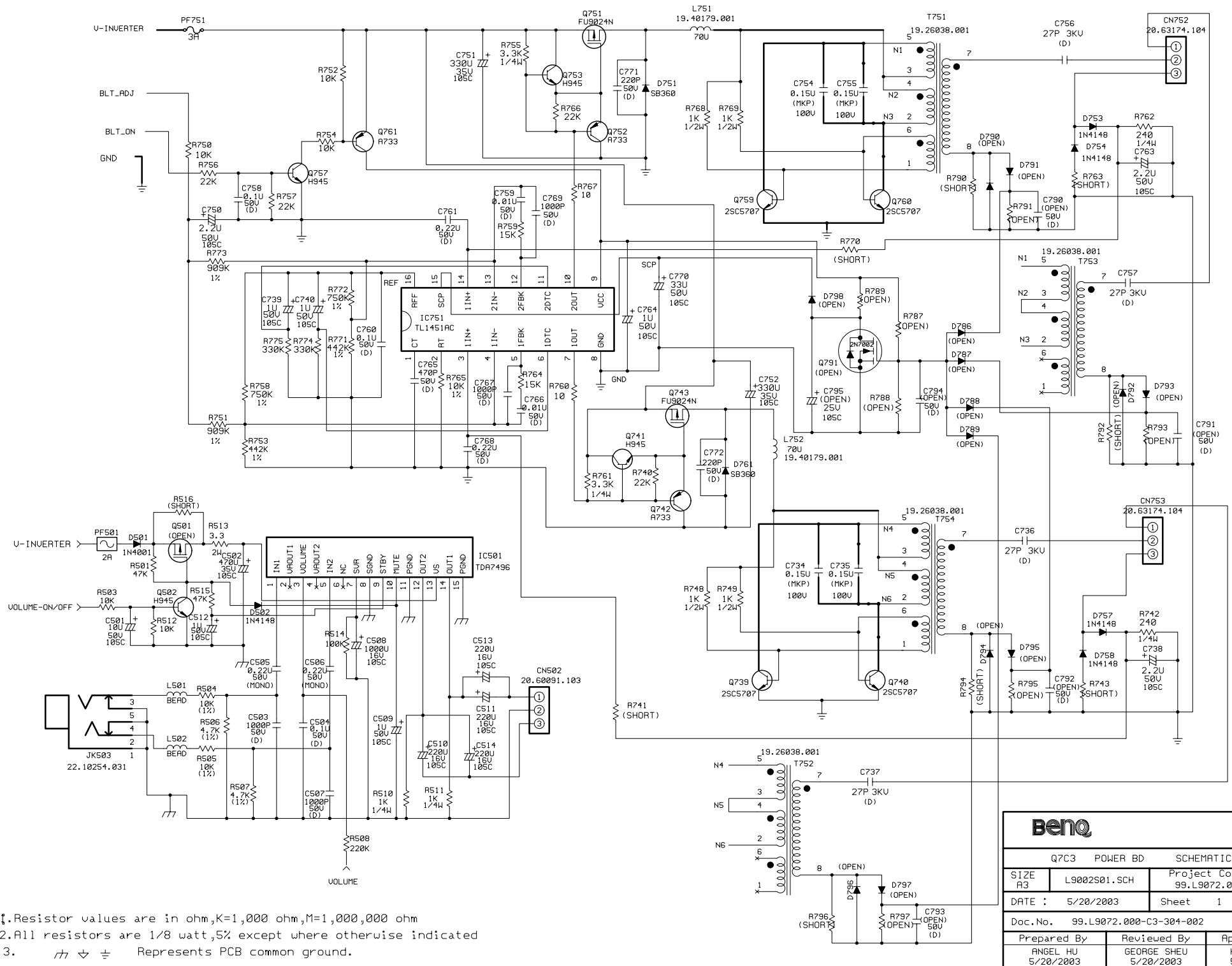


# Benq Corporation

Project Code	Model Name	OEM/ODM Model Name
99.L9072.001	Q7C3	NA
Title		
INTERFACE BOARD		
Size	PCB P/N	PCB Rev.
<Size>	48.L9001.S11	S11
Date:	Document Number	Rev.
Tuesday, May 13, 2003	99.L9072.000-C3-304-001	0
Prepared By	Reviewed By	Approved By
ANGEL HU	WAIT CHEN	DAVEN WU



<b>Benq Corporation</b>				
Project Code	Model Name	OEM/ODM Model Name		
99.L9072.001	Q7C3	NA		
Title				
INTERFACE BOARD				
Size	PCB P/N	PCB Rev.	Document Number	Rev.
<Size>	48.L9001.S11	S11	99.L9072.000-C3-304-001	0
Date: Tuesday, May 13, 2003		Sheet 7 of 7		
Prepared By		Reviewed By		Approved By
ANGEL HU		WAIT CHEN		DAVEN WU



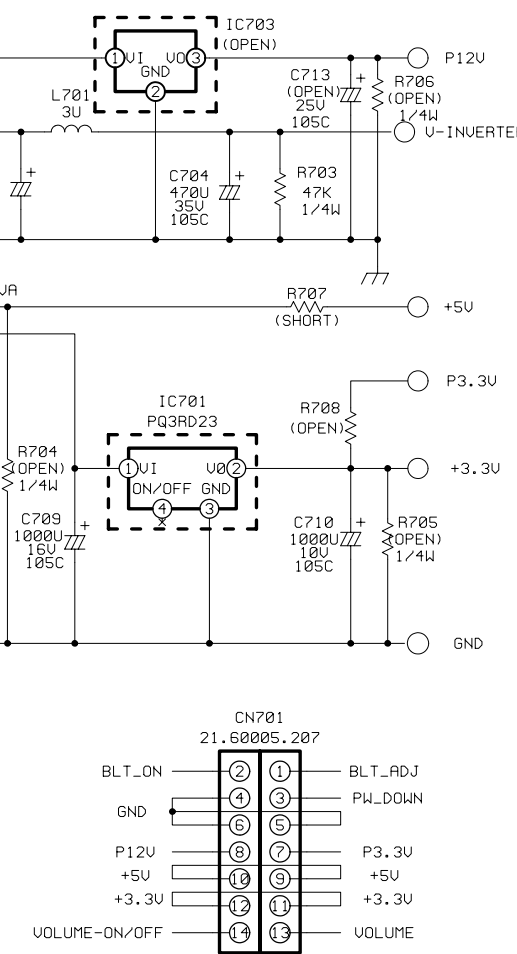
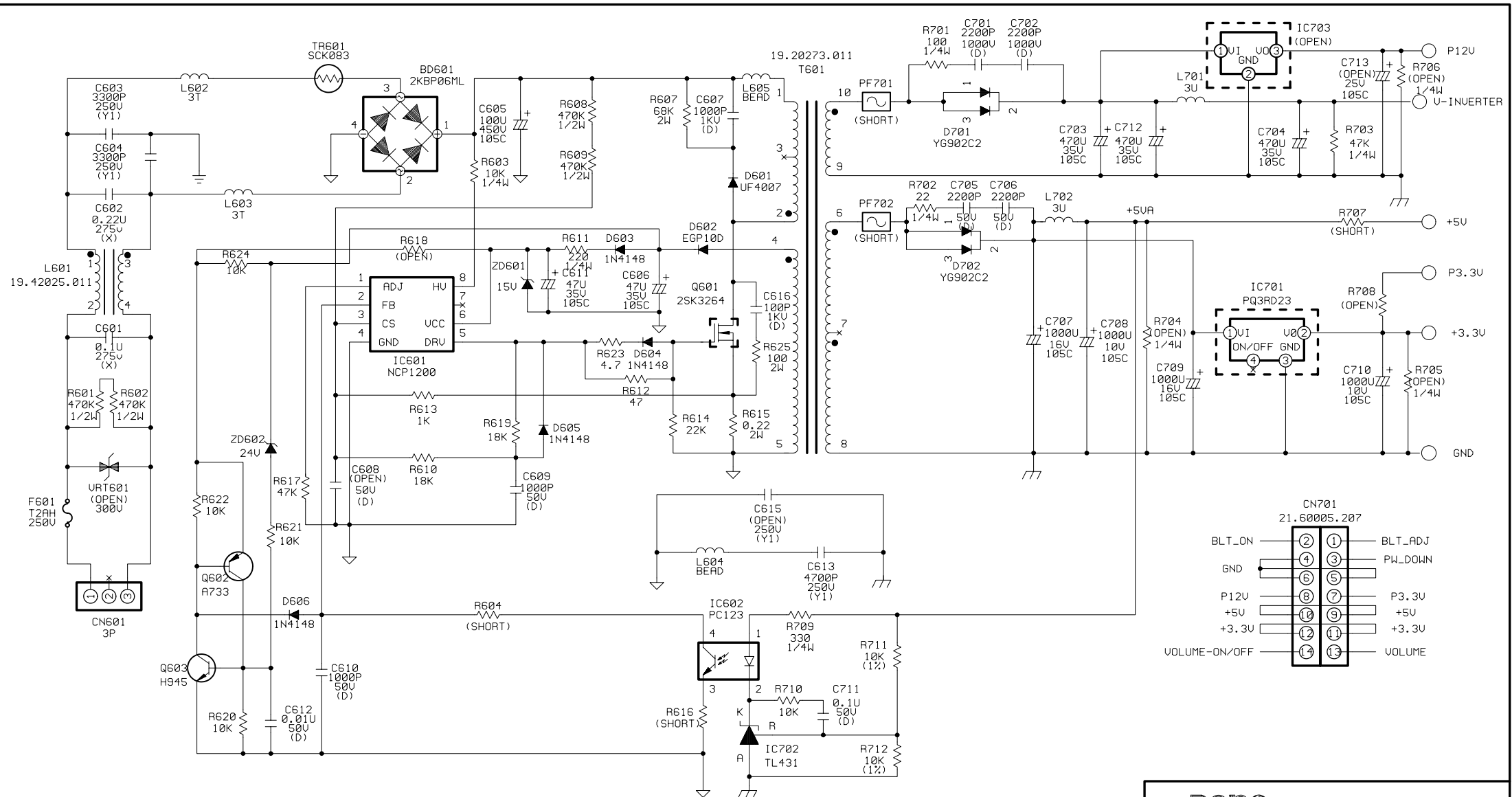
- NOTES:
- Resistor values are in ohm, K=1,000 ohm, M=1,000,000 ohm
  - All resistors are 1/8 watt, 5% except where otherwise indicated
  - $\nabla$   $\nabla$   $\nabla$  Represents PCB common ground.

**BenQ**

Q7C3 POWER BD SCHEMATICS

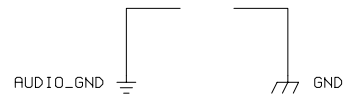
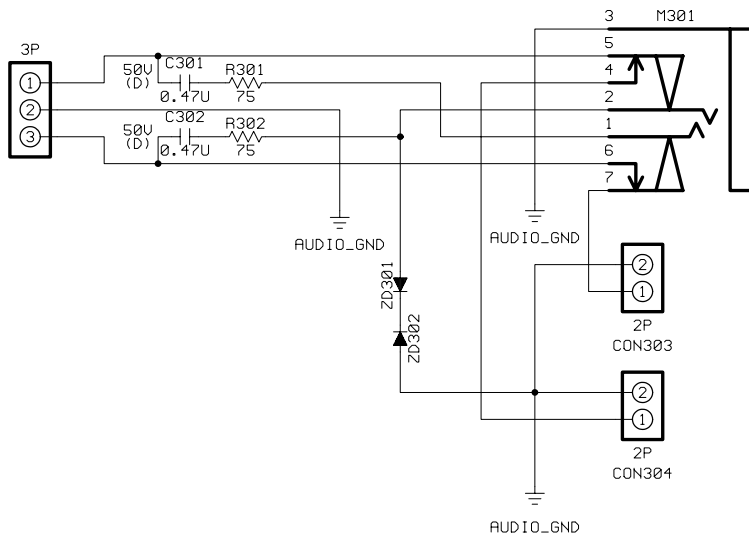
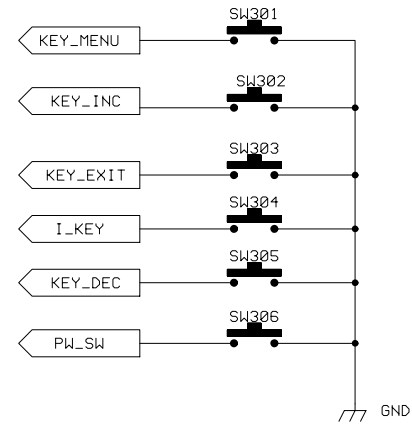
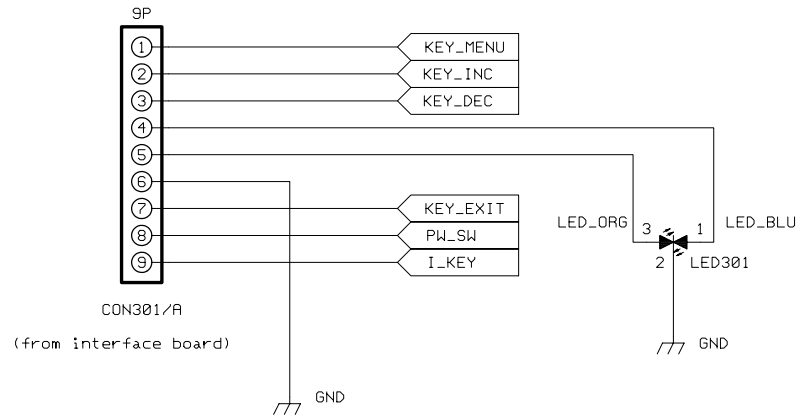
SIZE A3	L9002S01.SCH	Project Code. 99.L9072.001	REV. 0
DATE : 5/20/2003	Sheet 1 OF 2		
Doc.No. 99.L9072.000-C3-304-002			
Prepared By	Reviewed By	Approved By	
ANGEL HU 5/20/2003	GEORGE SHEU 5/20/2003	H.J. WONG 5/20/2003	





<b>benq</b>			
Q7C3 POWER BD		SCHEMATICS	
SIZE A4	L9002S01.SCH	Project Code. 99.L9072.001	REV. 0
DATE : 5/20/2003	Sheet 2 OF 2		
Doc.No. 99.L9072.000-C3-304-002			
Prepared By ANGEL HU 5/20/2003	Reviewed By GEORGE SHEU 5/20/2003	Approved By H. J. WONG 5/20/2003	

NOTES: 1. Resistor values are in ohm, K=1,000 ohm, M=1,000,000 ohm  
 2. All resistors are 1/8 watt, 5% except where otherwise indicated  
 3.  $\nabla$   $\nabla$   $\nabla$  Represents PCB common ground.



**BenQ**

Q7C3 CTRL BD SCHEMATICS

SIZE A4	L9003S03.SCH	Project Code. 99.L9072.001	REV. 1
------------	--------------	-------------------------------	-----------

DATE : 6/13/2003	Sheet 1 OF 1
------------------	--------------

Doc.No. 99.L9072.000-C3-304-003

Prepared By ANGEL HU 6/13/2003	Reviewed By WAIT CHEN 6/13/2003	Approved By DAVEN WU 6/13/2003
--------------------------------------	---------------------------------------	--------------------------------------

- NOTES:
1. Resistor values are in ohm, K=1,000 ohm, M=1,000,000 ohm
  2. All resistors are 1/8 watt, 5% except where otherwise indicated
  3. Represents PCB common ground.